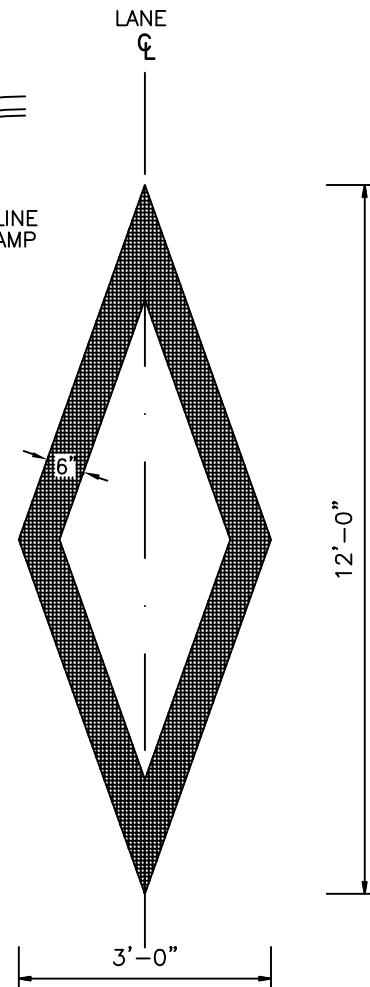
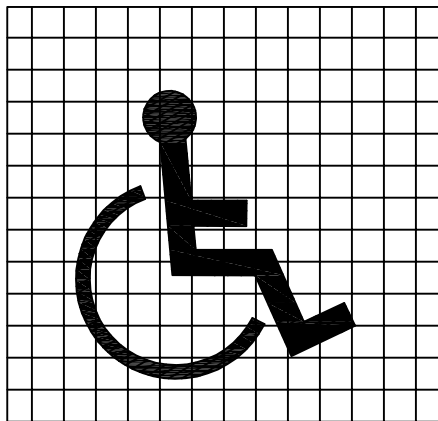


CROSSWALK STRIPE DETAIL  
NOT TO SCALE



PREFERENTIAL LANE SYMBOL



HANDICAPPED PARKING  
STALL SYMBOL



PUBLIC WORKS  
DEPARTMENT

PAVEMENT MARKINGS

DWG.  
NO. 3-20