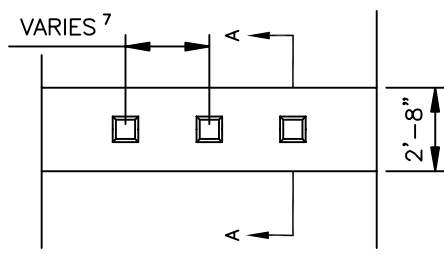
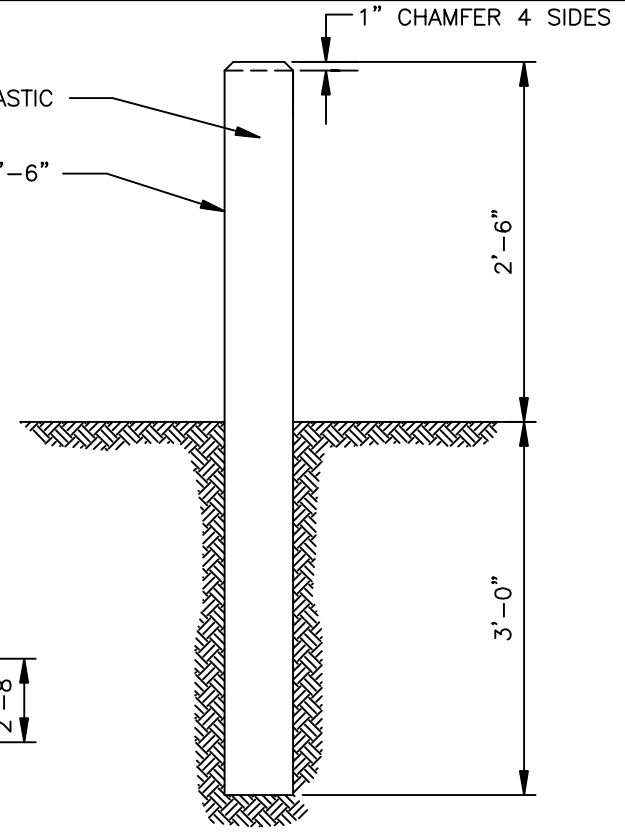


SECTION A-A  
REMOVABLE BOLLARD



REMOVABLE BOLLARD  
PLAN



FIXED BOLLARD

**NOTES:**

1. RECYCLED PLASTIC BOLLARD SHALL BE WHITE. TIMBER SHALL BE DOUGLAS FIR, DENSE CONSTRUCTION GRADE, AND SHALL BE PRESSURE TREATED WITH A WATERBORNE PRESERVATIVE (ACA, CCA, ACZA) IN ACCORDANCE WITH THE REQUIREMENTS OF SEC. 9-09.3 (4) OF THE WSDOT/APWA STANDARD SPECIFICATIONS. TOP 5" OF TIMBER SHALL BE PAINTED WHITE.
2. STEEL TUBE SHALL CONFORM TO ASTM A53 GRADE A.
3. NUTS, BOLTS AND WASHERS SHALL CONFORM TO ASTM A307.
4. ALL STEEL PARTS SHALL BE GALVANIZED.
5. CONCRETE SHALL BE CLASS 3000.
6. MINIMUM 50" SPACING ON TRAILS LESS THAN 10' WIDE. 60" SPACING ON TRAILS 10' OR WIDER.



PUBLIC WORKS  
DEPARTMENT

BOLLARDS

DWG.  
NO. 3-35