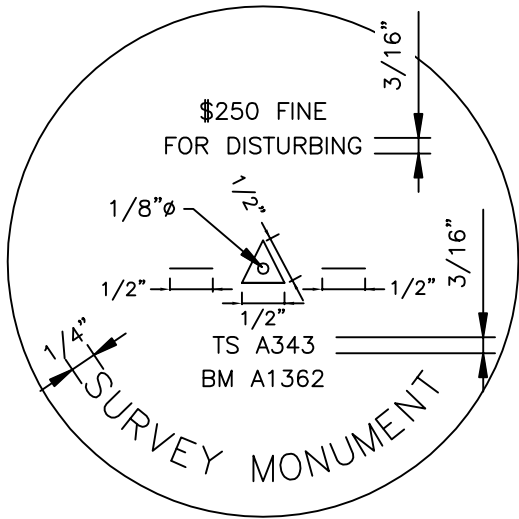


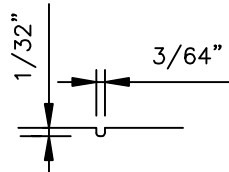
**NOTES:**

1. THE BRASS DISC SHALL BE CAST OF YELLOW BRASS SAE 41.
2. CONCRETE SHALL BE CLASS 4000.
3. THE HOLE SHALL BE 2.5' MINIMUM IN DEPTH OR 0.5' BELOW THE DEEPEST RECORDED FROST LINE. ALL LOOSE MATERIAL SHALL BE REMOVED FROM THE BOTTOM OF THE HOLE SO THAT THE CONCRETE IS ON FIRM, UNDISTURBED EARTH.
4. THE TOP OF THE CONCRETE SHALL BE TROWLED SMOOTH AND THE BRASS DISC SET IN THE CENTER WITH ITS TOP EDGE FLUSH AND LEVEL.
5. COORDINATES OR ELEVATIONS SHALL NOT BE PLACED ON THE BRASS DISCS.
6. SEE SECTION 3.8.5.

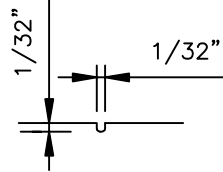


**PLAN**

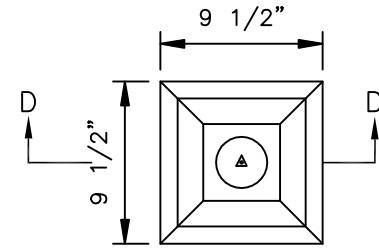
**NOTE:** ONLY THE ASSIGNED IDENTIFICATION NUMBERS ARE TO APPEAR ON THE BRASS DISC.



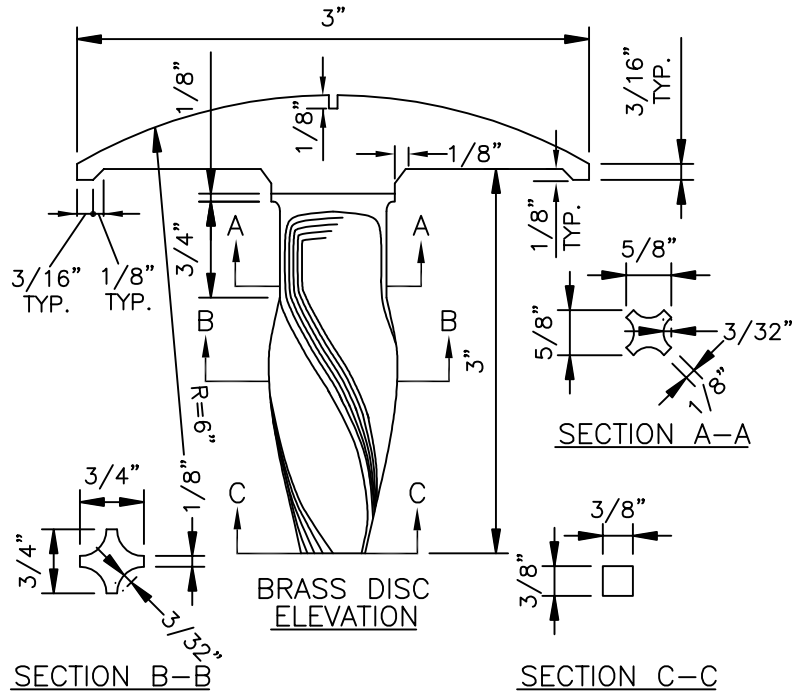
**DETAIL OF GROOVE FOR 1/4" LETTERS**



**DETAIL OF GROOVE FOR 3/16" LETTERS AND LINES**



**PLAN**

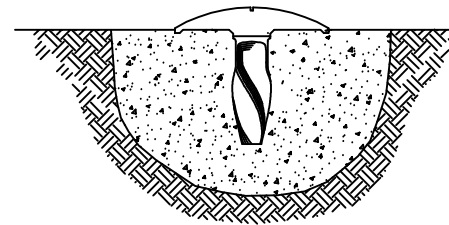


**BRASS DISC ELEVATION**

**SECTION A-A**

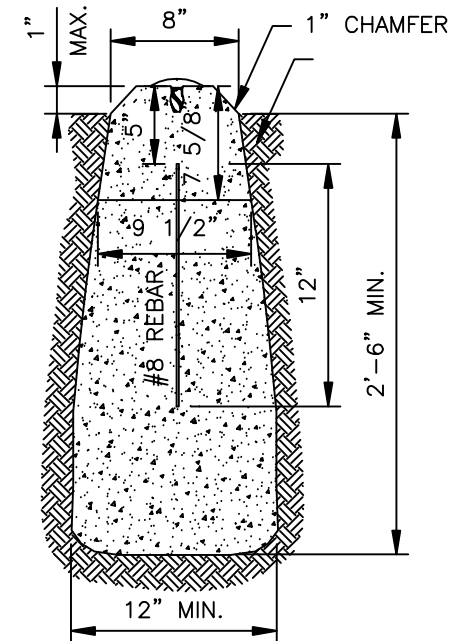
**SECTION B-B**

**SECTION C-C**



**LEDGE ROCK OR CONCRETE INSTALLATION**

**NOTE:** EXCAVATION TO BE MADE LARGE ENOUGH TO CLEAR MARKER 1 1/2" AT ALL POINTS.



**GENERAL INSTALLATION SECTION D-D**



**PUBLIC WORKS DEPARTMENT**

**OFF-ROADWAY SURVEY MONUMENT**

**DWG. NO. 3-37**