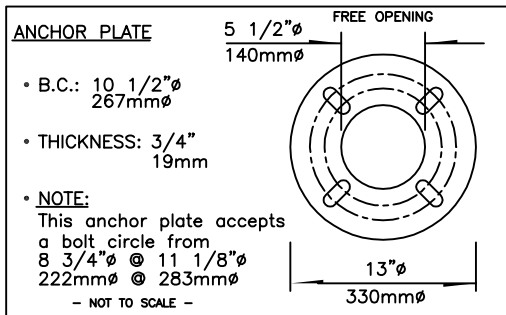
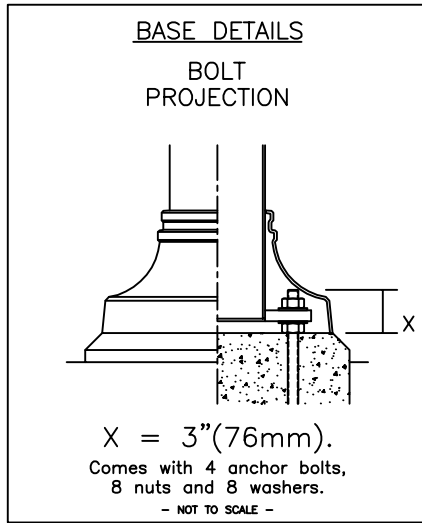
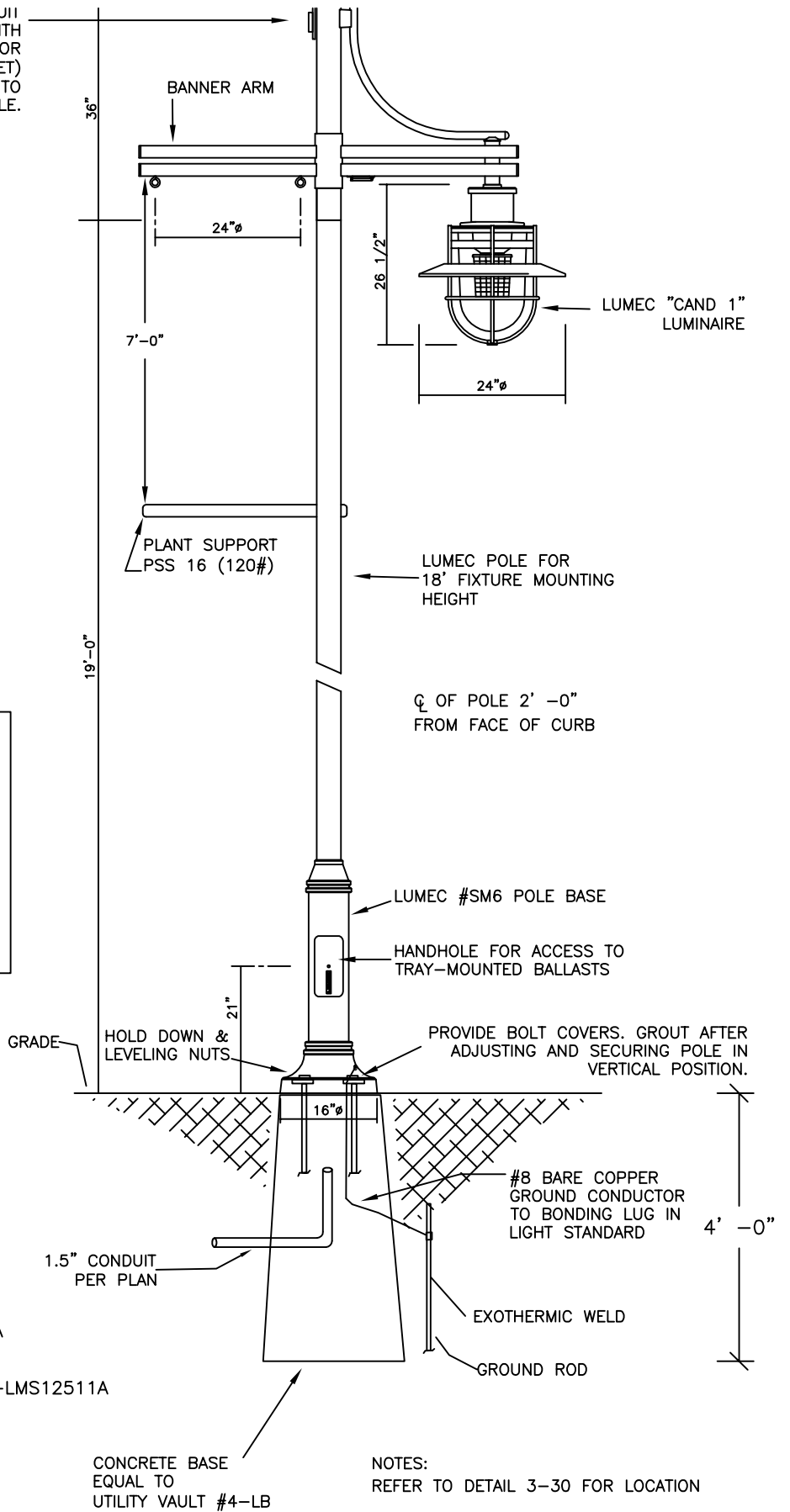


NEMA 5-15 GROUND FAULT CIRCUIT INTERRUPTING RECEPTACLE WITH WATERPROOF COVER SUITABLE FOR UNATTENDED USE. (FESTOON OUTLET) SIDEWALK SIDE, AS CLOSE TO TOP OF POLE AS POSSIBLE.



**ANCHORING BOLTS**  
STEEL, 3/4" x 27"  
(supplied by LUMEC inc).

LUMINAIRE:  
CAND1-PCC-RACE 3D-240-CN1-1A  
STANDARD:  
SMGN-19-FS(2)-PH7-DR-GN8-TX-LMS12511A



NOT TO SCALE



PUBLIC WORKS DEPARTMENT

CBD DECORATIVE LUMINAIRE  
STANDARD & PLACE

DWG. NO.  
3-4.3