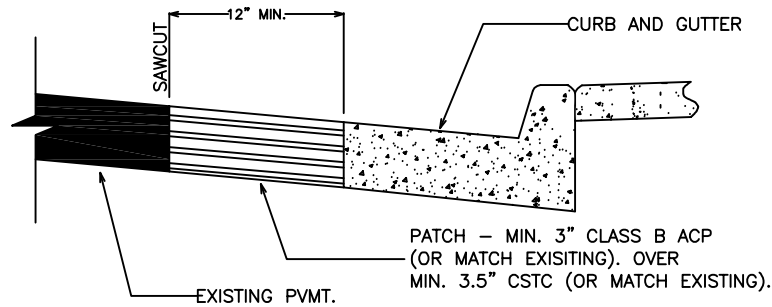


EXTRUDED ASPHALT OR CEMENT  
CONCRETE CURB<sup>3</sup>

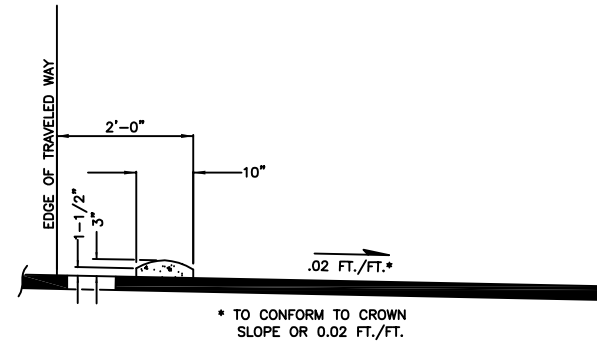
FOR USE IN PRIVATE PARKING AREAS ONLY



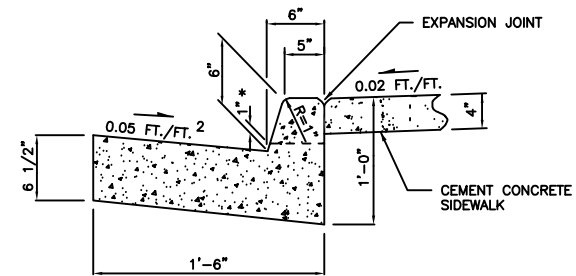
CEMENT CONCRETE CURB & GUTTER REPLACEMENT<sup>5</sup>

NOTES:

1. SEE SEC. 3.04 S.W.R.S. FOR JOINT REQUIREMENTS.
2. ROLL GUTTER TO MATCH POSITIVE SUPERELEVATION.
3. SEE SECTION 3.3.3 FOR EXTRUDED CURB ANCHORAGE.
4. TO BE USED ONLY AS APPROVED BY PUBLIC WORKS DEP'T.
5. EXISTING CURB REPLACEMENT WILL REQUIRE REMOVAL OF ASPHALT A MINIMUM 12" FROM FACE OF GUTTER

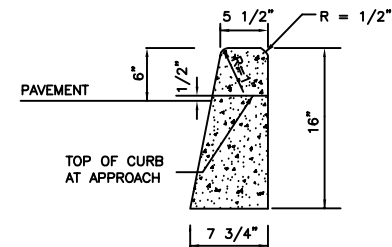


MOUNTABLE CEMENT CONCRETE CURB<sup>4</sup>



\* NOTE: TOP OF LIP AT DRIVEWAYS.

NEW CEMENT CONCRETE CURB & GUTTER



CEMENT CONCRETE BARRIER CURB



PUBLIC WORKS  
DEPARTMENT

CURB DETAILS

DWG. NO. 3-4