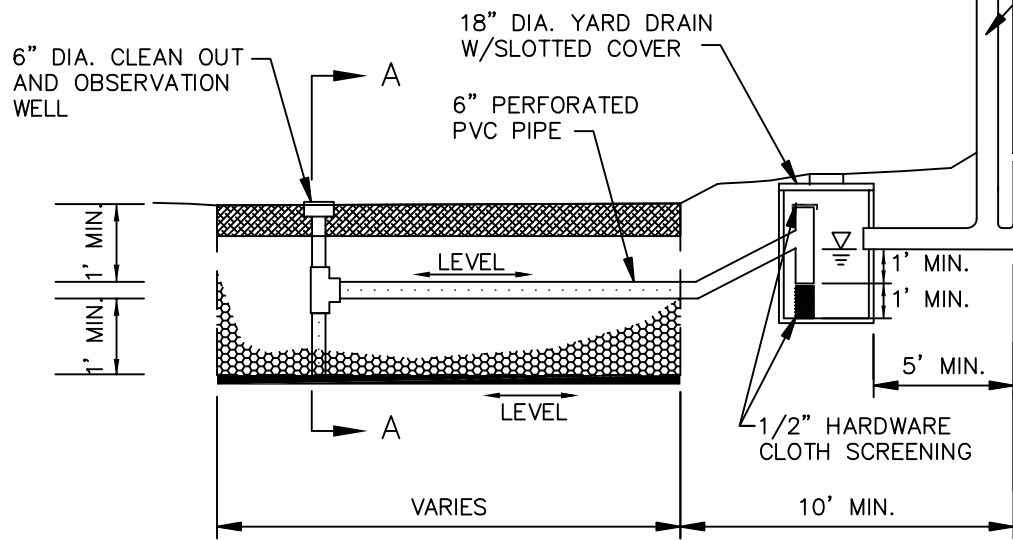
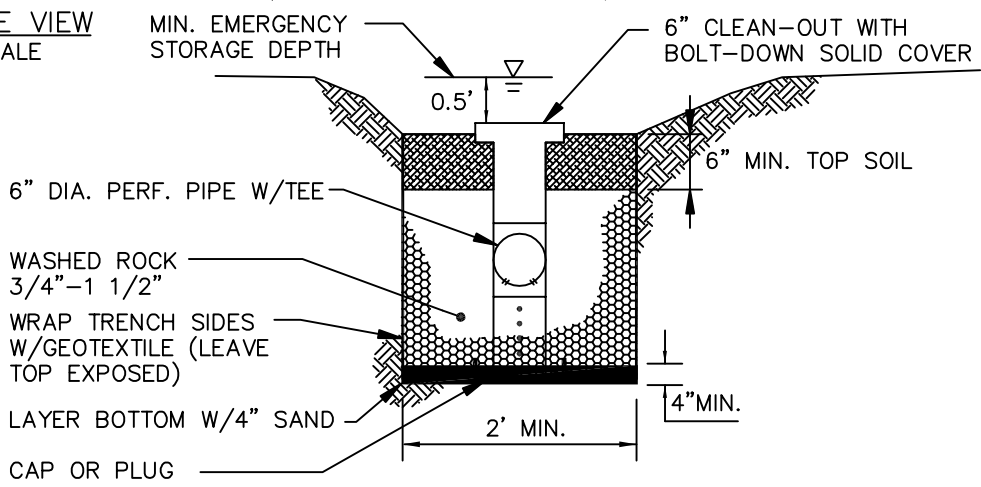


PLAN VIEW
NO SCALE



PROFILE VIEW
NO SCALE



SECTION A-A
NO SCALE



PUBLIC WORKS
DEPARTMENT

**ROOF DOWNSPOUT
INFILTRATION TRENCH**

DWG. NO.
4-33