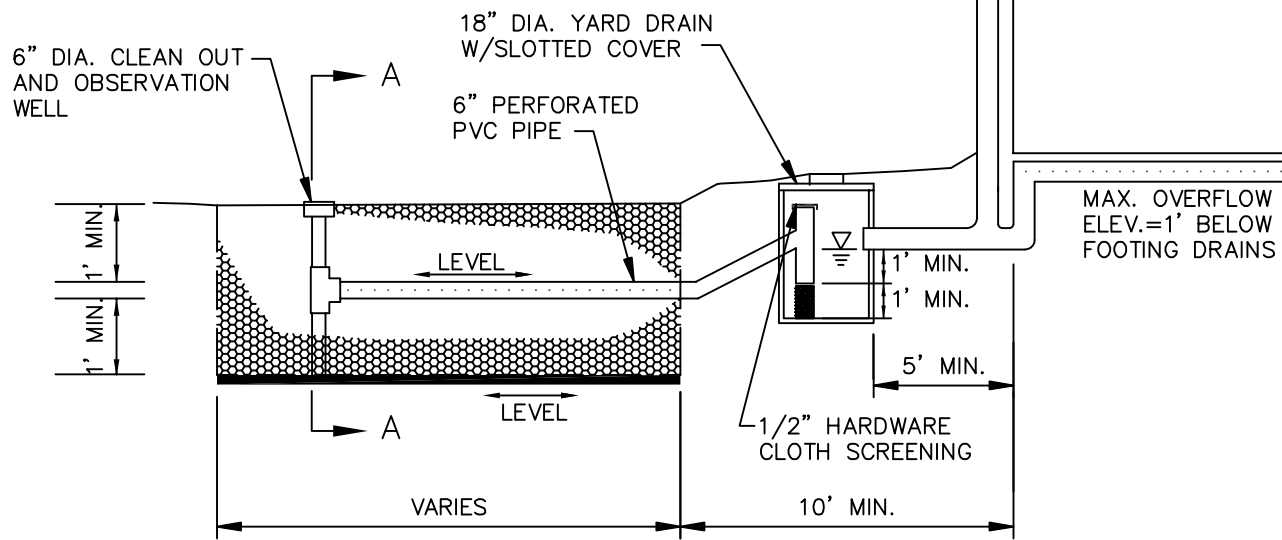
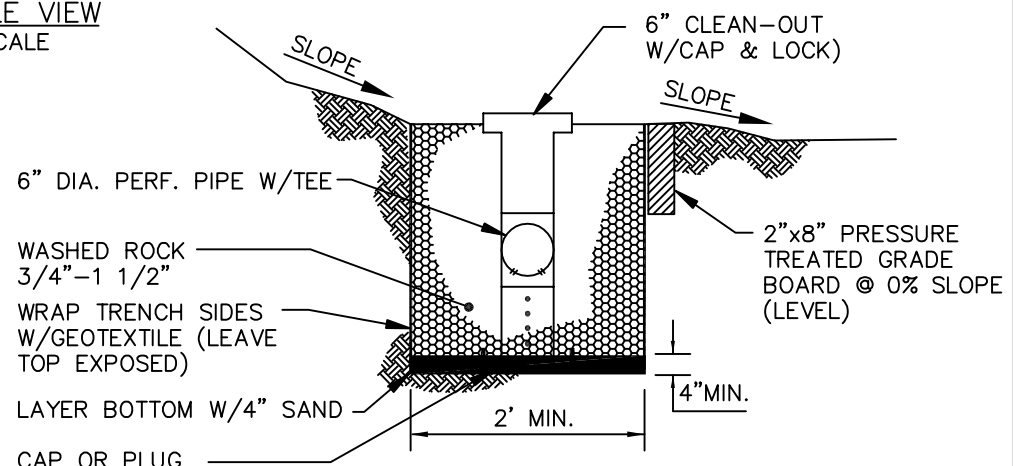


PLAN VIEW
NO SCALE



PROFILE VIEW
NO SCALE



SECTION A-A
NO SCALE



PUBLIC WORKS
DEPARTMENT

DISPERSAL TRENCH DETAIL

DWG. NO.
4-35