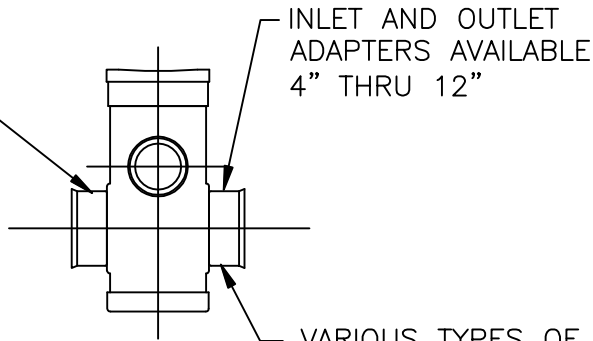
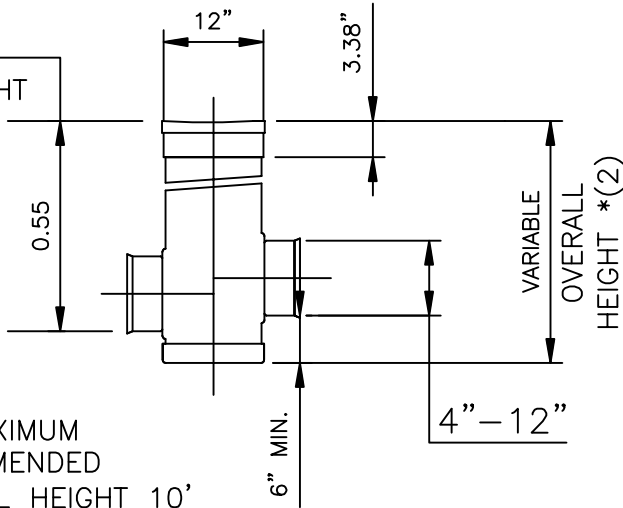


DUCTILE IRON
GRATE W / CAST
IRON FRAME

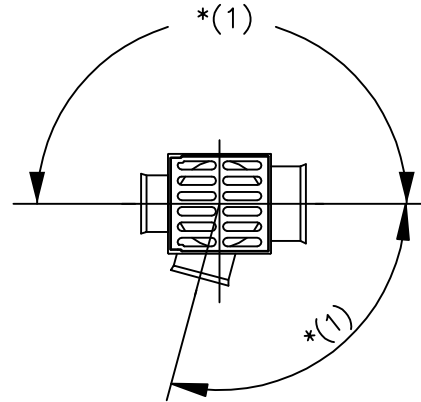


VARIOUS TYPES OF OUTLETS
WITH WATERTIGHT ADAPTERS
FOR:
ADS N-12
SDR-35 SEWER
SCHEDULE 40 DWV
CORRUGATED PVC
RIBBED PVC

VARIABLE
INVERT HEIGHT



* (2) MAXIMUM
RECOMMENDED
OVERALL HEIGHT 10'



* (1) ADAPTERS CAN BE
MOUNTED ON ANY ANGLE 0°
TO 359°. TO DETERMINE
MINIMUM ANGLE BETWEEN
ADAPTERS SEE DRAWING NO.
7001-110-012.

12" DRAIN BASIN
NOT TO SCALE



PUBLIC WORKS
DEPARTMENT

YARD DRAIN

DWG. NO.

4-39