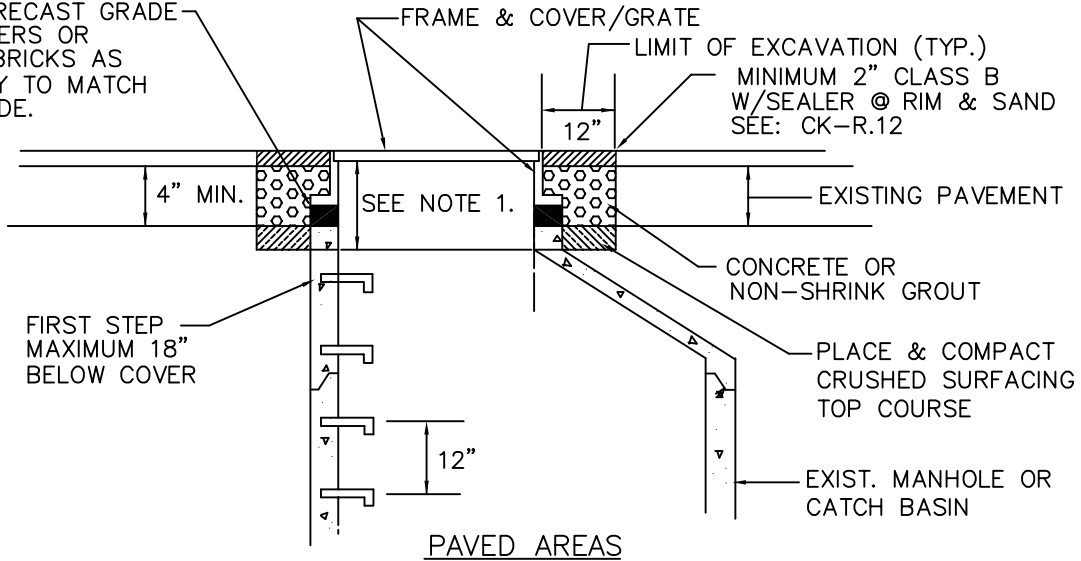
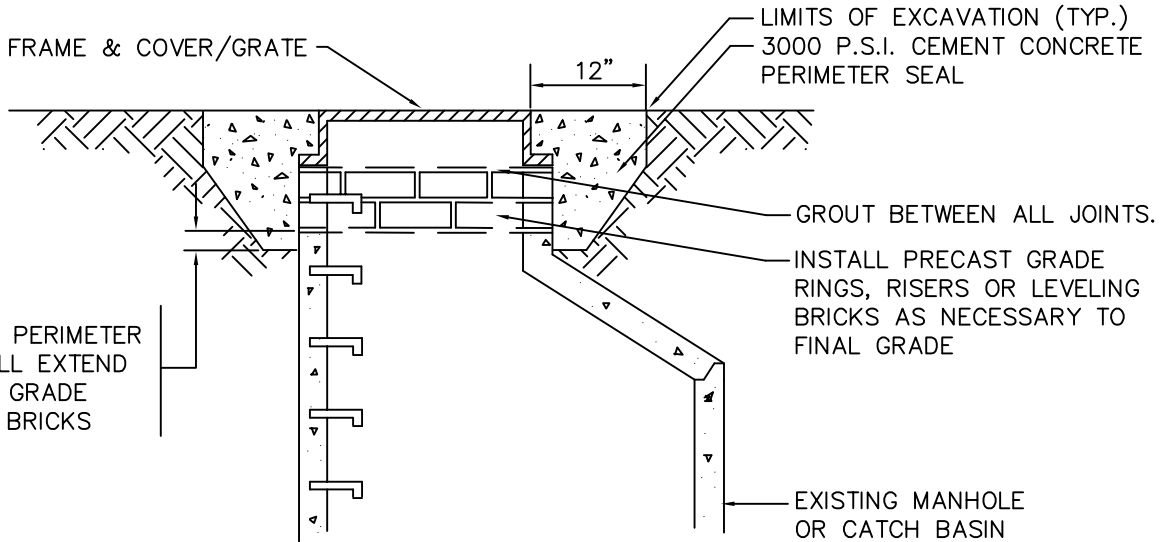


INSTALL PRECAST GRADE RINGS, RISERS OR LEVELING BRICKS AS NECESSARY TO MATCH FINAL GRADE.



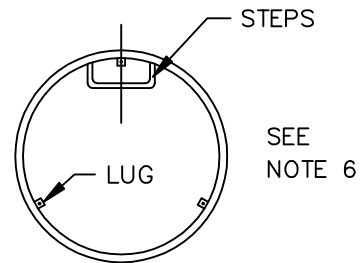
PAVED AREAS



UNPAVED AREAS

NOTE:

1. WHERE DEPTH OF NECK EXCEEDS 18 INCHES, ADJUST MANHOLE/CATCH BASIN TO GRADE BY INSERTING NEW BARREL SECTION BETWEEN THE CONE/SLAB AND EXISTING BARREL.
2. GRADE RINGS, RISERS, BRICK AND FRAME SHALL BE SET IN 3/4" NON-SHRINK GROUT, GROUT BETWEEN ALL JOINTS. GROUT BETWEEN ALL JOINTS. ALL SURFACES MUST BE CLEAN OF DEBRIS AND DIRT, AND WETTED PRIOR TO GROUTING. GROUT SMOOTH INSIDE AND OUTSIDE SURFACES.
3. STEPS OR HAND HOLDS SHALL BE ADDED AS NEEDED.
4. PRECAST GRADE RINGS AND RISERS MUST BE CAST WITH GROOVE TO ALLOW FIELD INSTALLATION OF SAFETY STEP.
5. REPLACE EXISTING FRAME AND COVER/GRATE IF NON-STANDARD.
6. IF REQUIRED: LOCKING MH FRAMES SHALL BE POSITIONED WITH ONE LUG CENTERED OVER STEPS.



LOCKING MH FRAME PLAN VIEW

SEE NOTE 6



PUBLIC WORKS DEPARTMENT

GRADE ADJUSTMENT RISERS FOR MANHOLE

DWG. NO.

4-40