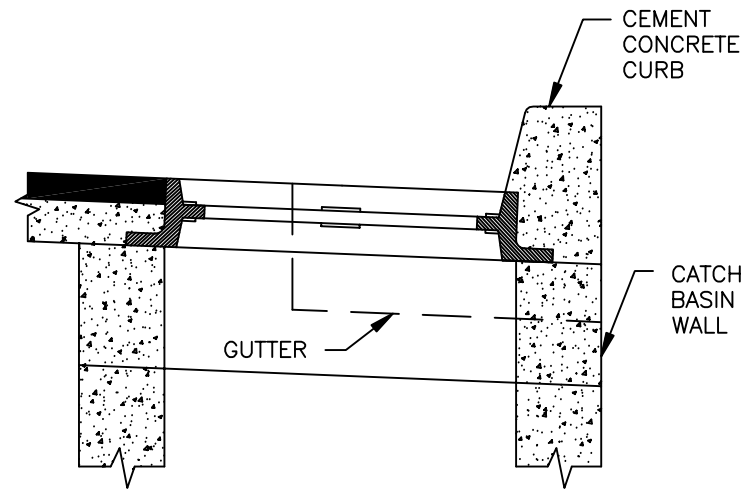
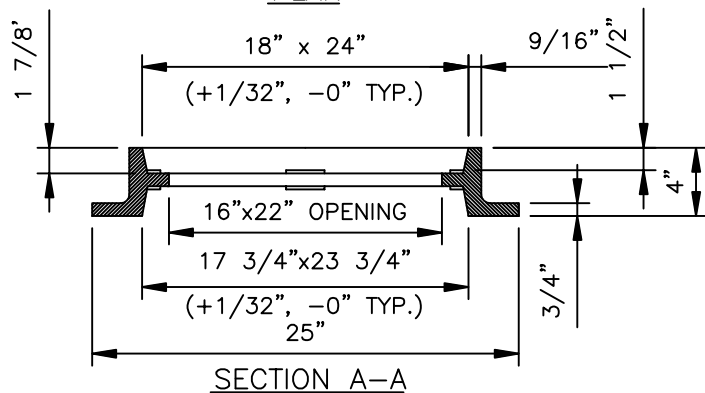
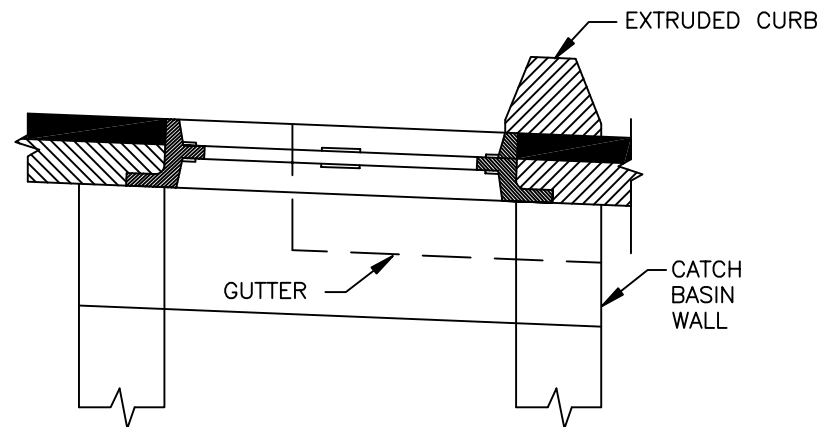


PLAN



VERTICAL CURB

SEE NOTE 4



EXTRUDED CURB

SEE NOTE 4

NOTES:

1. DRILL AND TAP FOR, AND PROVIDE, TWO LOCKING BOLTS 5/8"-11 NC STAINLESS TYPE 304 STEEL SOCKET HEAD (ALLEN HEAD) CAP SCREWS 2" LONG WHEN USED WITH SOLID COVER (DWG. NO. 2-015) OR WHEN SPECIFIED BY ENGINEER.
2. FRAME MATERIAL IS CAST IRON PER ASTM A48 CLASS 30.
3. SET FRAME TO GRADE AND CONSTRUCT ROAD AND GUTTER TO BE FLUSH WITH FRAME.



PUBLIC WORKS  
DEPARTMENT

STANDARD FRAME WITH VERTICAL OR  
EXTRUDED CURB INSTALLATION

DWG.  
NO. 4-6