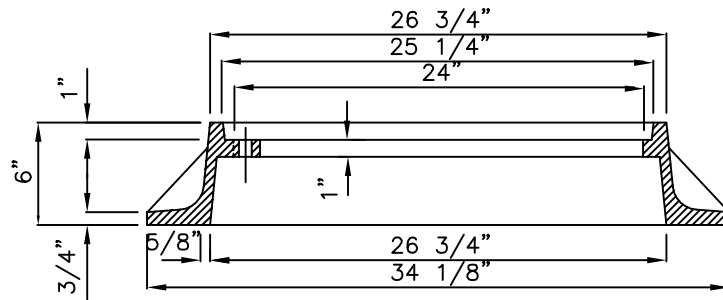


BOLT-DOWN DETAIL



NOTES:

1. MATERIAL IS CAST IRON ASTM A48 CLASS 30.
2. DRILL AND TAP THREE 5/8"-11 NC HOLES THROUGH FRAME AT 120° AND 11 1/16" RADIUS.



PUBLIC WORKS
DEPARTMENT

LOCKING MANHOLE FRAME

DWG.
NO. 4-13