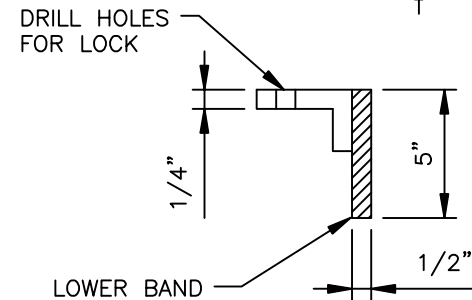
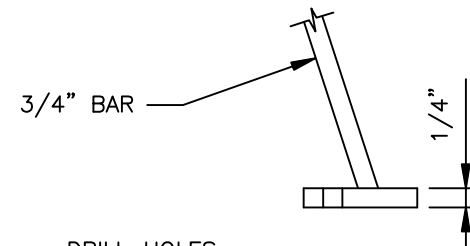
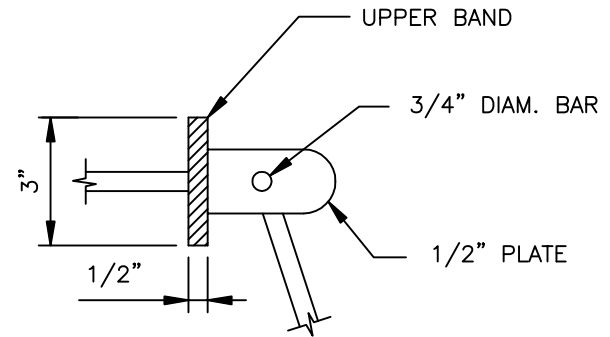
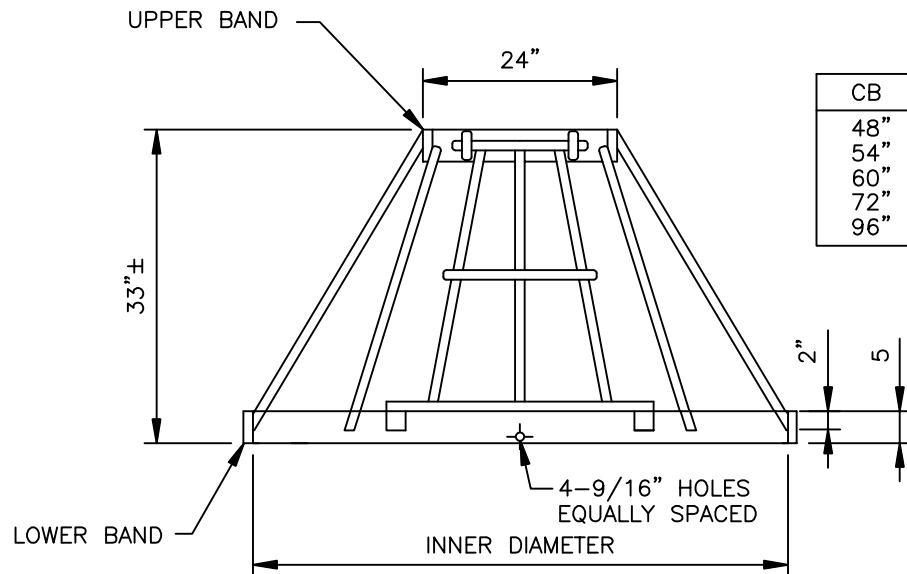


PLAN



ENTRY GATE DETAIL



ELEVATION

CB	INNER DIAM.
48"	58"
54"	65"
60"	72"
72"	86"
96"	114"

NOTES:

1. ALL STEEL IN PLATES, BARS AND BANDS SHALL CONFORM TO THE REQUIREMENTS OF ASTM A36.
2. DEBRIS CAGE SHALL BE HOT-DIP GALVANIZED IN ACCORDANCE WITH ASTM A123 (AASHTO M111).
3. PADLOCKS REQUIRED ON CITY OF SEDRO-WOOLLEY FACILITIES.



PUBLIC WORKS
DEPARTMENT

DEBRIS CAGE

DWG.
NO. 4-16