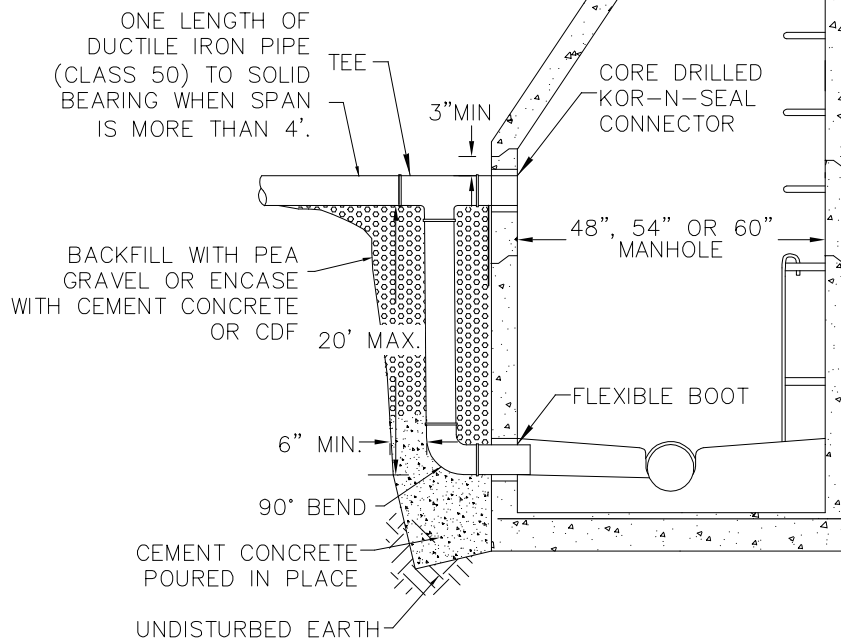


SEE STANDARD MANHOLE DETAIL
(SWPWD DWG NO. 5-2) FOR
APPLICABLE DIMENSIONS AND NOTES.



NOTE:
ALL DROP FITTINGS AND PIPE
TO BE CL. 50 DUCTILE IRON



PUBLIC WORKS
DEPARTMENT

DROP MANHOLE CONNECTION
DETAIL

DWG. NO.

5-6