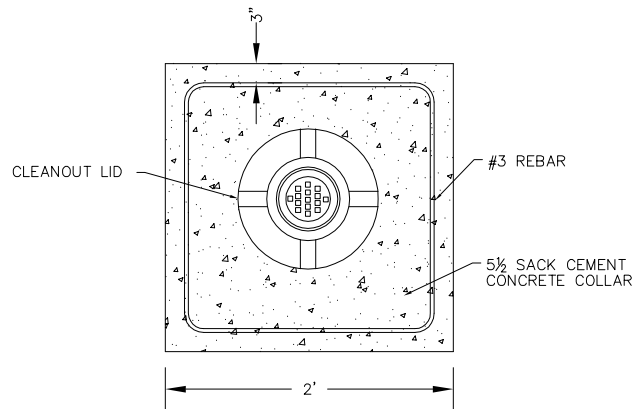
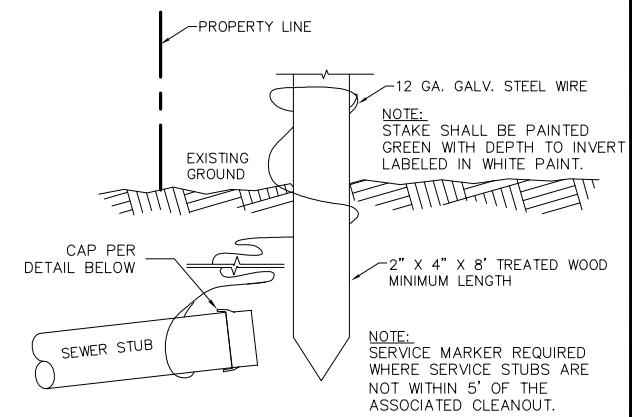


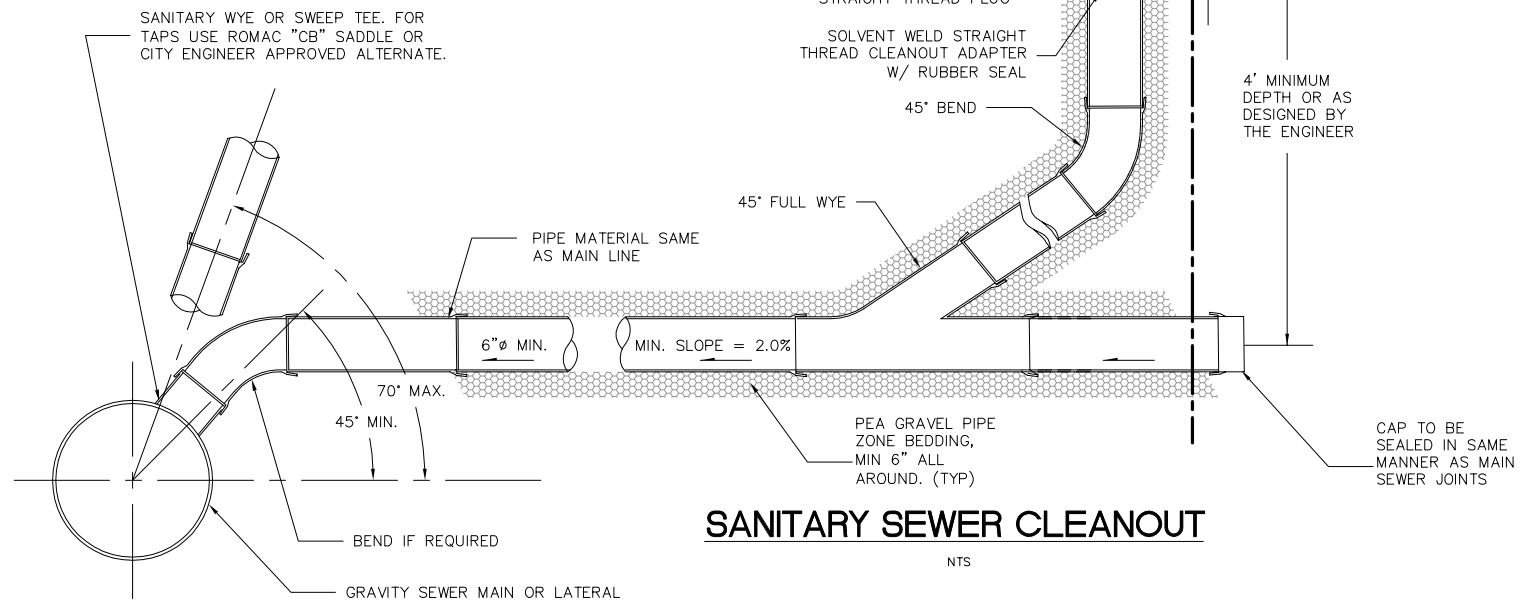
**CAST IRON RING AND COVER**  
NTS



**SS CLEANOUT ENCASMENT**  
NTS



**SERVICE MARKER DETAIL**  
NTS



**SANITARY SEWER CLEANOUT**  
NTS



PUBLIC WORKS  
DEPARTMENT

SANITARY SEWER SERVICE AND CLEANOUT DETAIL

DWG.  
NO. 5-8