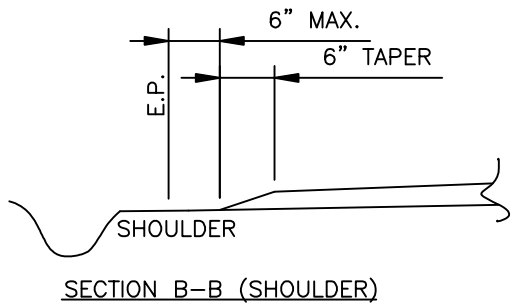
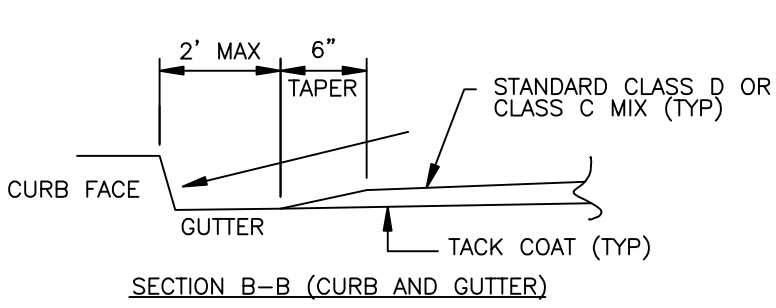
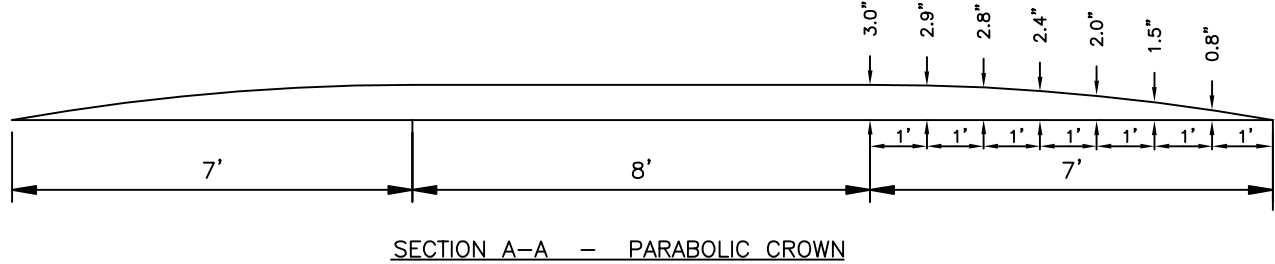


SIGN DESIGNATION / SIZE		
W8-1	BUMP	30" x 30"
W8-1A	BUMP AHEAD	30" x 30"
W13-1(20)	20 MPH ADVISORY PLAQUE	18" x 18"
NOTES:		
1) ADVANCE SIGNS USED ONLY FOR FIRST IN SERIES		
2) WHEN 2 OR MORE BUMPS, REPLACE W8-1A WITH W8-1A(S) (BUMPS AHEAD)		



PUBLIC WORKS DEPARTMENT

SPEED TABLE

DWG. NO. 3-28