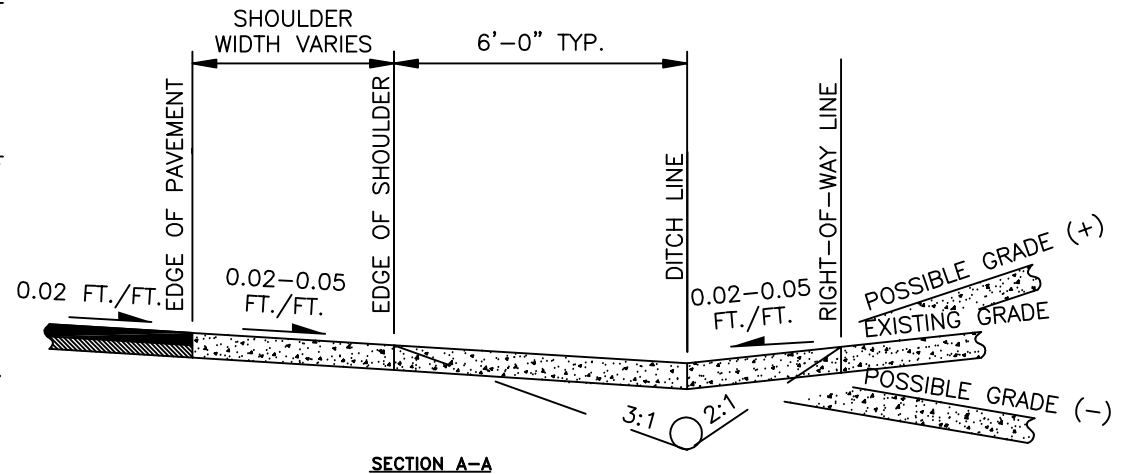
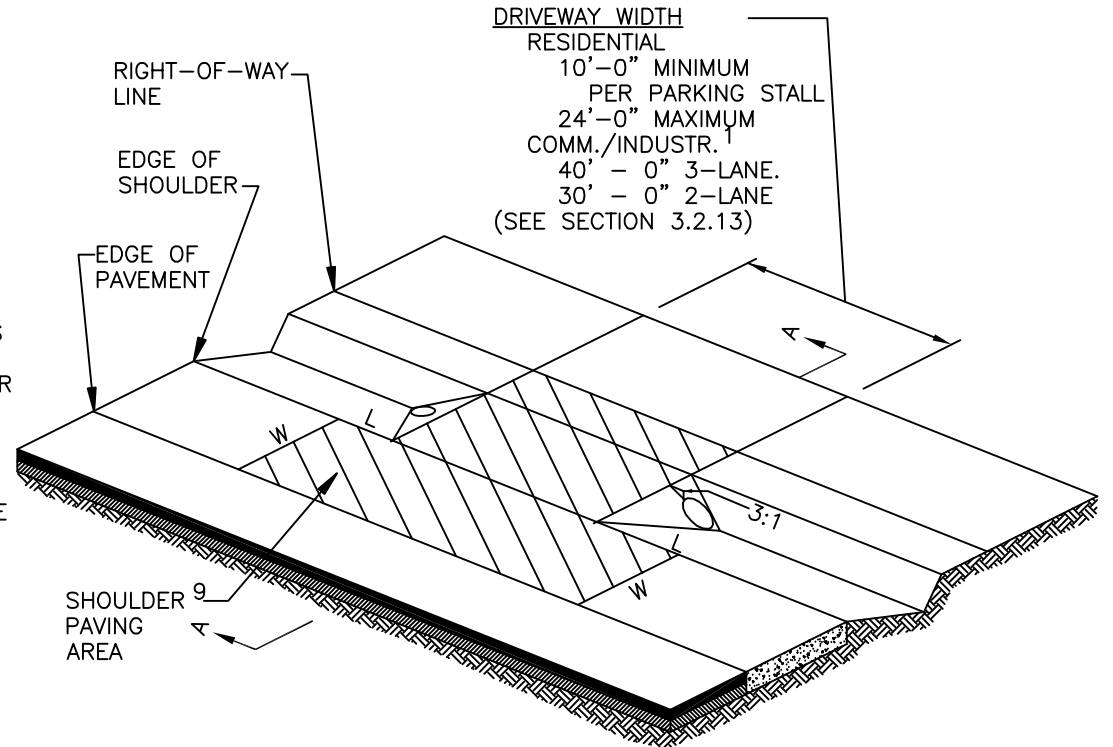


**NOTES:**

1. COMMERCIAL/INDUSTRIAL DRIVEWAYS WIDER THAN 40' MAY BE APPROVED BY THE ENGINEER CONSIDERING BOTH TRAFFIC SAFETY AND THE ACTIVITY BEING SERVED. ALL COMMERCIAL/INDUSTRIAL DRIVEWAYS SHALL HAVE AN EXPANSION JOINT LOCATED MID-WIDTH. SEE KCRS SEC. 3.04.
2. PIPE SHALL BE:
  - A. SIZED TO CONVEY COMPUTED STORM WATER RUNOFF, AND
  - B. MINIMUM 12" DIAMETER, AND
  - C. EQUAL TO OR LARGER THAN EXISTING PIPES WITHIN 500' UPSTREAM.
  - D. BEDDING SHALL BE 7/8" MINUS C.S.T.C., OR PEA GRAVEL.
3. EXPOSED PIPE ENDS SHALL BE BEVELED TO MATCH THE SLOPE FACE AND PROJECT NO MORE THAN 2" BEYOND SLOPE SURFACE. PROJECTING HEADWALLS ARE NOT ACCEPTABLE.
4. ALL PIPE SHALL HAVE MINIMUM 12" COVER.
5. PIPE SHALL BE INSTALLED IN A STRAIGHT UNIFORM ALIGNMENT AT A MINIMUM 0.5% SLOPE (0.5 FT. PER 100 FT.) WITH THE DOWNSTREAM END LOWER THAN THE UPSTREAM END.
6. PIPE MAY BE OMITTED IF ROADSIDE DITCH DOES NOT EXIST AND DRIVEWAY DOES NOT BLOCK NATURAL FLOW.
7. DRIVEWAY SLOPE SHALL MATCH TO BACK EDGE OF SHOULDER, BUT SHOULDER SLOPE AND EDGE OF SHOULDER SHALL NOT BE ALTERED AS A RESULT OF DRIVEWAY CONSTRUCTION.
8. PAVED DRIVEWAYS SHALL BE PAVED THROUGH RIGHT-OF-WAY WITH 3" (MINIMUM) A.C., BUT NOT P.C.C.
9. GRAVEL DRIVEWAYS SHALL BE PAVED BETWEEN THE EDGE OF PAVEMENT AND R/W WITH 3" MINIMUM A.C. ONLY WITH DIMENSIONS L=W.
10. SEE SECTION 3.2.13.



PUBLIC WORKS  
DEPARTMENT

SHOULDER & DITCH SECTION DRIVEWAY

DWG.  
NO. 3-5