

SIGN POST ~ 2" (IN) OR 2 1/4" (IN) SQUARE, 12-GAGE STEEL TUBE

FINISHED GROUND LINE

STABILIZER FIN

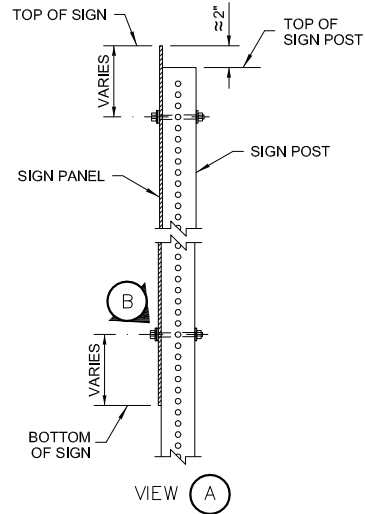
CLEAN-OUT BAR

ANCHOR LEG ANGLE

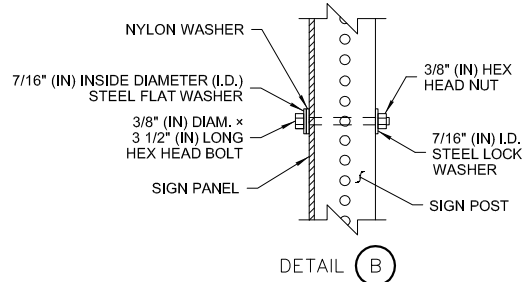
ELEVATION

TYPE ST-3 OR V-LOC SIGN SUPPORT  
USE 30" LENGTH FOR INSTALLATION IN SOIL OR GRAVEL

USE 8" LENGTH FOR INSTALLATION IN CONCRETE



VIEW A



DETAIL B

NOTES

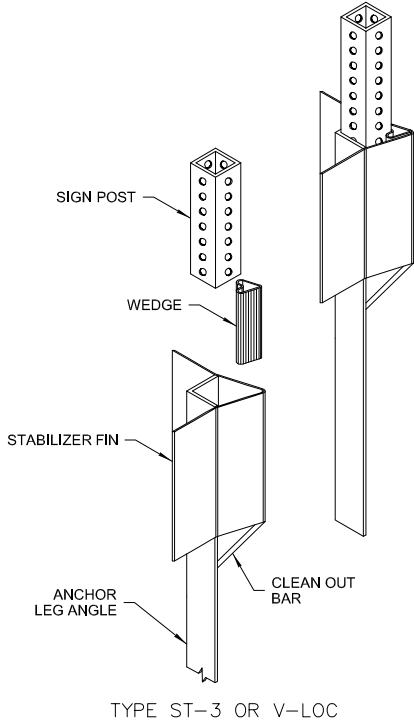
1. Dimensions for the parts used to assemble the base connections are intentionally not shown. Base connections are patented, manufactured products that are in compliance with NCHRP 350 crash test criteria. The base connection details are shown on this plan only to illustrate how the parts are assembled.
2. For "H1", 12-ft minimum.
3. Perforated square steel post shall meet the requirements of **Standard Specification 9-06**.
4. Use only base connection manufacturer supplied hardware that meets the requirements of **Standard Specifications 9-06 and 9-28**.

STREET NAME SIGN COLOR: PUBLIC-GREEN BACKGROUND,  
WHITE LETTERS, WHITE BORDER  
PRIVATE-YELLOW BACKGROUND  
BLACK LETTERS

STREET NAMES SHALL BE SPELLED WITH UPPER AND LOWER CASE LETTERS.

NAME LETTERING SIZE: FOR 25 MPH ZONES: 4" UPPER CASE  
3" LOWER CASE  
FOR 35 MPH ZONES: 6" UPPER CASE  
4.5" LOWER CASE

ALL STREET NAME, REGULATORY AND WARNING SIGNS SHALL CONFORM TO CURRENT MUTCD STANDARDS AND BE HIGH INTENSITY.



TYPE ST-3 OR V-LOC



PUBLIC WORKS DEPARTMENT

STREET SIGN INSTALLATION

DWG. NO. 3-50

REVISED JULY 19, 2019