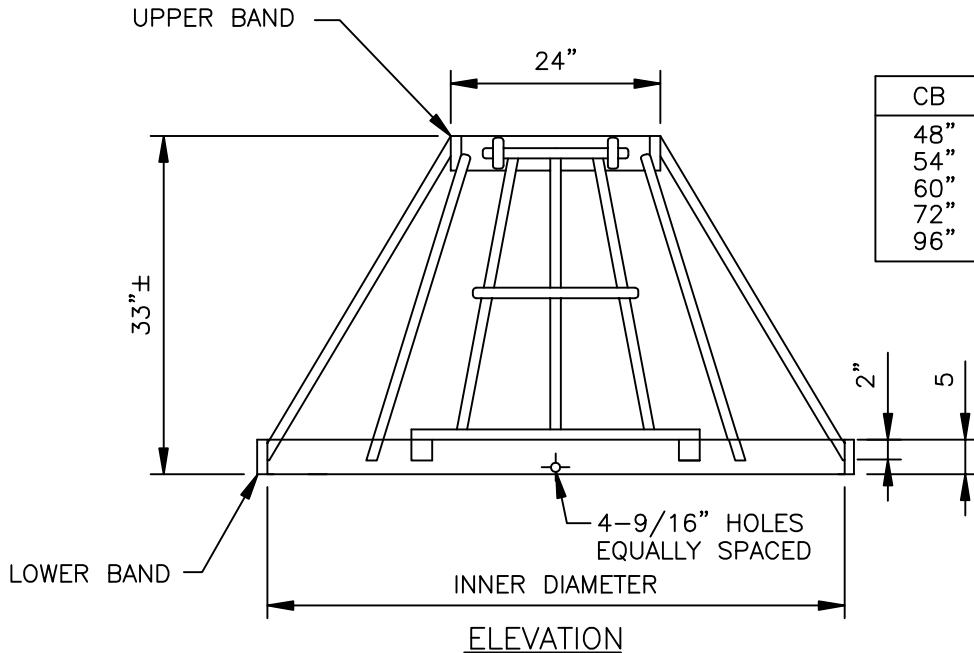
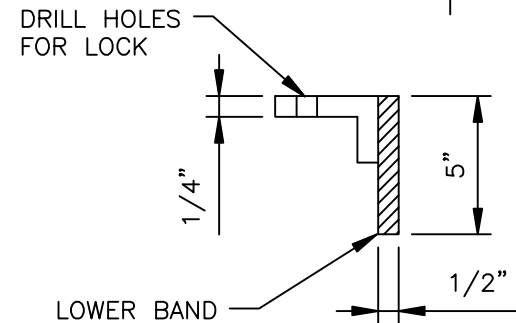
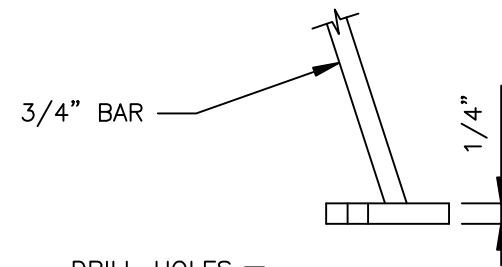
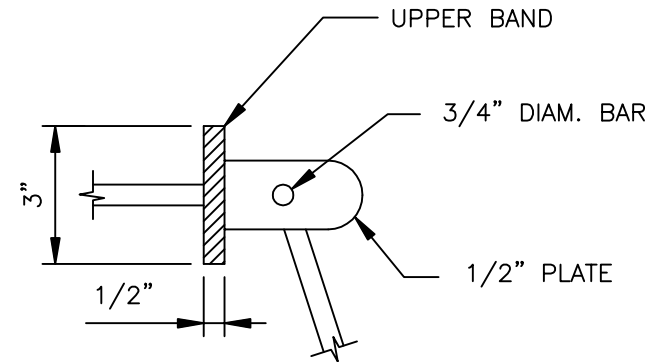


PLAN



CB	INNER DIAM.
48"	58"
54"	65"
60"	72"
72"	86"
96"	114"



ENTRY GATE DETAIL

NOTES:

1. ALL STEEL IN PLATES, BARS AND BANDS SHALL CONFORM TO THE REQUIREMENTS OF ASTM A36.
2. DEBRIS CAGE SHALL BE HOT-DIP GALVANIZED IN ACCORDANCE WITH ASTM A123 (AASHTO M111).
3. PADLOCKS REQUIRED ON CITY OF SEDRO-WOOLLEY FACILITIES.

