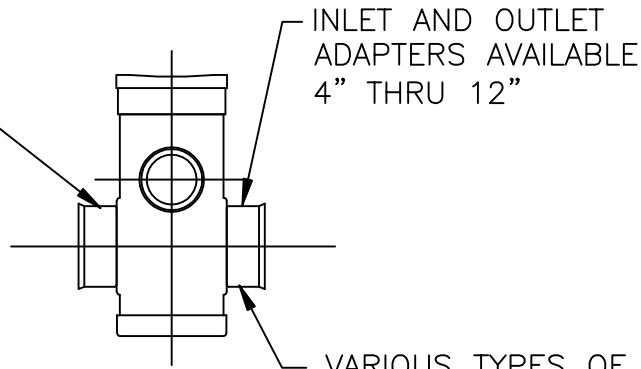
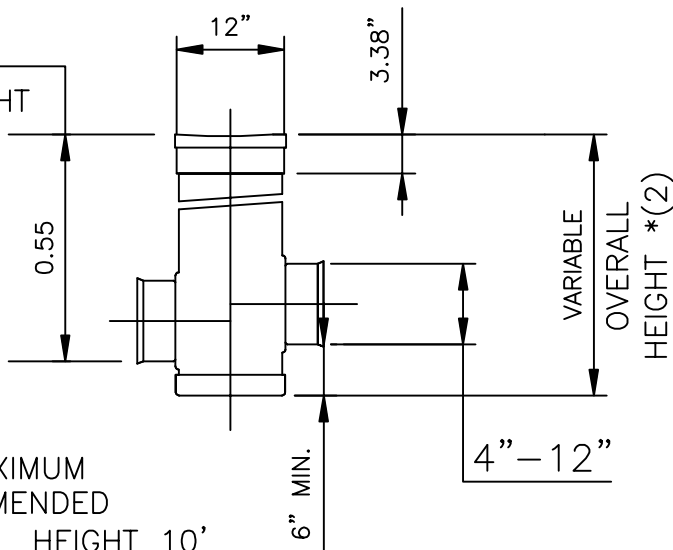


DUCTILE IRON  
GRATE W / CAST  
IRON FRAME

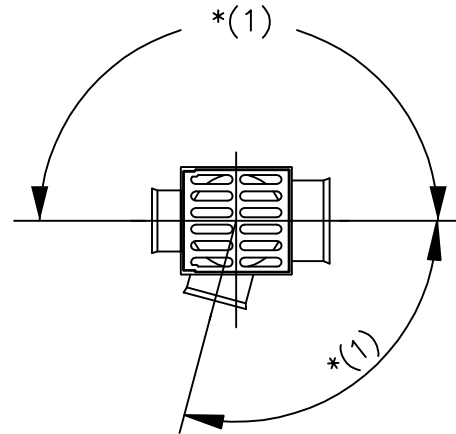


VARIOUS TYPES OF OUTLETS  
WITH WATERTIGHT ADAPTERS  
FOR:  
ADS N-12  
SDR-35 SEWER  
SCHEDULE 40 DWV  
CORRUGATED PVC  
RIBBED PVC

VARIABLE  
INVERT HEIGHT



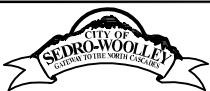
\* (2) MAXIMUM  
RECOMMENDED  
OVERALL HEIGHT 10'



\* (1) ADAPTERS CAN BE  
MOUNTED ON ANY ANGLE 0°  
TO 359°. TO DETERMINE  
MINIMUM ANGLE BETWEEN  
ADAPTERS SEE DRAWING NO.  
7001-110-012.

12" DRAIN BASIN

NOT TO SCALE



PUBLIC WORKS  
DEPARTMENT

YARD DRAIN

DWG. NO.  
4-6