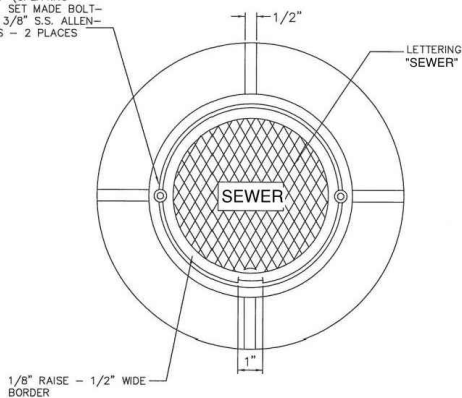
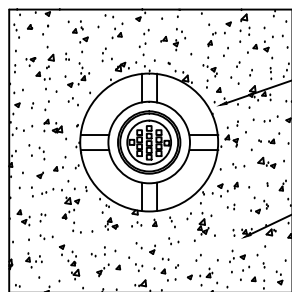


DRILL & TAP (SPLITTING THE SEAM) SET MADE BOLT-DOWN WITH 3/8" S.S. ALLEN-HEAD BOLTS - 2 PLACES



1/8" RAISE - 1/2" WIDE BORDER

LETTERING "SEWER"



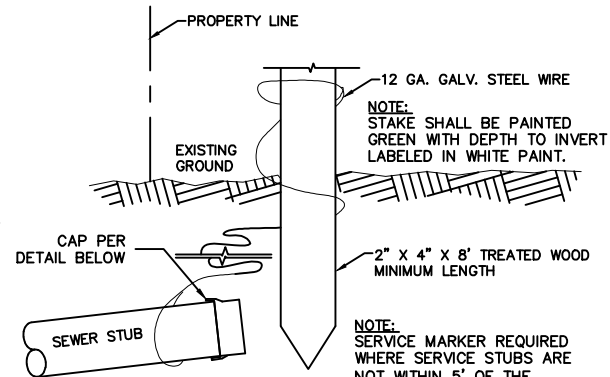
CLEANOUT LID SEE DETAIL

5 1/2 SACK CEMENT CONCRETE COLLAR

2'

SS CLEANOUT ENCASEMENT

NTS



PROPERTY LINE

EXISTING GROUND

12 GA. GALV. STEEL WIRE

NOTE: STAKE SHALL BE PAINTED GREEN WITH DEPTH TO INVERT LABELED IN WHITE PAINT.

2" X 4" X 8' TREATED WOOD MINIMUM LENGTH

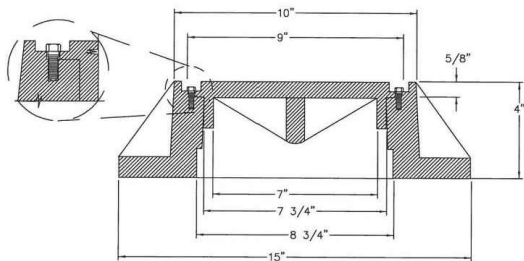
NOTE: SERVICE MARKER REQUIRED WHERE SERVICE STUBS ARE NOT WITHIN 5' OF THE ASSOCIATED CLEANOUT.

CAP PER DETAIL BELOW

SEWER STUB

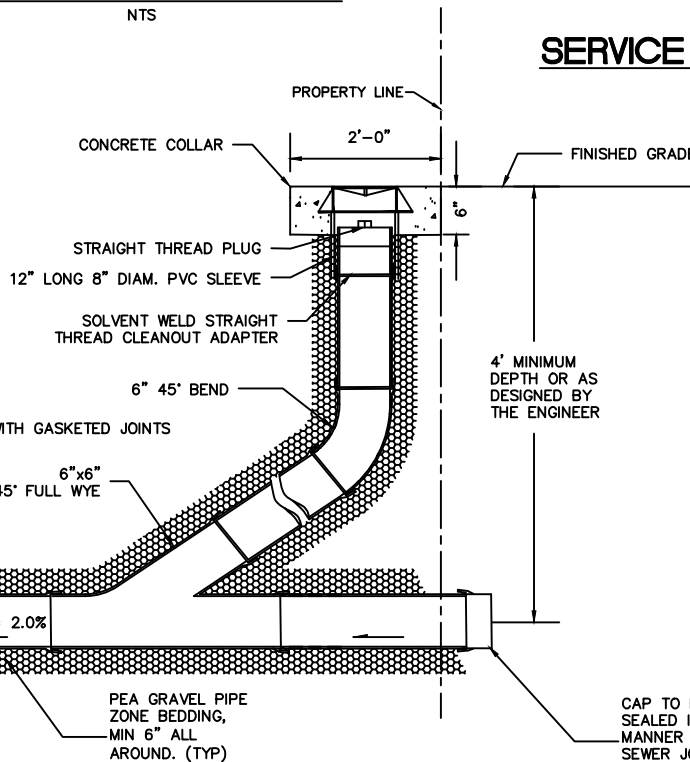
SERVICE MARKER DETAIL

NTS



CAST IRON RING AND COVER

NTS



PROPERTY LINE

2'-0"

FINISHED GRADE

CONCRETE COLLAR

STRAIGHT THREAD PLUG
12" LONG 8" DIAM. PVC SLEEVE
SOLVENT WELD STRAIGHT
THREAD CLEANOUT ADAPTER

6" 45° BEND

4' MINIMUM DEPTH OR AS DESIGNED BY THE ENGINEER

ALL PIPE AND FITTINGS SHALL BE 3034 PVC WITH GASKETED JOINTS

45° FULL WYE

6" x 6"

PIPE MATERIAL SAME AS MAIN LINE

6" Ø MIN.

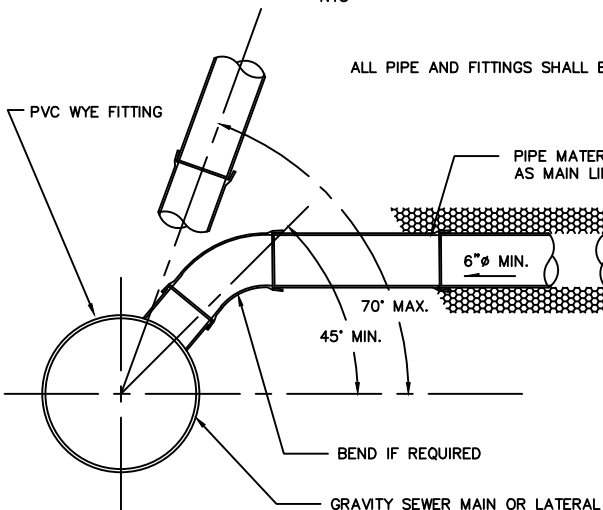
MIN. SLOPE = 2.0%

PEA GRAVEL PIPE ZONE BEDDING, MIN 6" ALL AROUND. (TYP)

CAP TO BE SEALED IN SAME MANNER AS MAIN SEWER JOINTS

SANITARY SEWER CLEANOUT

NTS



PVC WYE FITTING

70' MAX.

45' MIN.

BEND IF REQUIRED

GRAVITY SEWER MAIN OR LATERAL



PUBLIC WORKS DEPARTMENT

SANITARY SEWER SERVICE AND CLEANOUT DETAIL

DWG. NO. 5-8