

# City of Sedro-Woolley

---

## ADDENDUM NO. 2-rev

### TO THE PLANS, SPECIFICATIONS, PROPOSAL AND CONTRACT FOR THE CITY OF SEDRO-WOOLLEY

**Fruitdale Road Arterial Improvement**  
TIB Project No. 8-2-126(011)-1  
Sedro-Woolley Project No. 2018-PW-01

**Addendum Issued: February 26, 2018**  
**Date of Bid Opening: March 8, 2018**



---

TO ALL PLAN HOLDERS:

You are hereby notified of the following changes, revisions, deletions additions, corrections and/or clarifications to the plans, specifications, and contract documents for the Fruitdale Road Arterial Improvement Project. This addendum is made part of these contract documents as though it was originally included in the Contract. The Contractor shall acknowledge receipt and understanding of the Addenda in the Contract Proposal, page D-9.

#### **I. ADDITIONS, MODIFICATIONS, AND/OR DELETIONS TO THE PROPOSAL**

##### **ITEM NO. 1:**

##### **Advertisement for Bids, Page A-1**

Replace the first paragraph with the following:

Sealed bid proposals will be received by the City of Sedro-Woolley Public Works Department, 325 Metcalf Street, Sedro-Woolley, Washington, 98284 until 2:00 p.m., Thursday, **March 8**, 2018, at which time the bids will be opened and publicly read.

**ITEM NO. 2:**

**Bidder's Checklist, Page B-1**

Delete item No. 6. Written amounts are not required in the proposal.

**ITEM NO. 3:**

**Supplemental Instructions to Bidders, Page B-5, Execution of Contract**

Replace this section with the following:

The successful Bidder shall execute and return the contract satisfactory to the City of Sedro-Woolley, within **15** calendar days after bid award. A certificate of insurance satisfying the contract specifications shall be submitted with the signed contract.

**II. ADDITIONS, MODIFICATIONS, AND/OR DELETIONS TO THE SPECIAL PROVISIONS**

**ITEM NO. 4:**

**Special Provisions, Section 1-02.12 Public Opening of Proposal**

Replace the 10<sup>th</sup> paragraph regarding the bid opening date with the following:

The bid opening date for this project is Thursday, **March 8**, 2018. The bids will be publicly opened and read after 2:00 p.m. on this date.

**ITEM NO. 5:**

**Special Provisions, Section 2-02 Removal of Structures and Obstructions - 2-02.3 Construction Requirements**

Replace the 10<sup>th</sup> paragraph regarding the removal of trees and root balls with the following:

Per standard specification 2-01.3(1), close-cut parallel to the slope of the ground all stumps to be left in the cleared area outside the slope stakes.

Removal of trees and root balls inside the slope stakes is incidental to removal of structures and obstructions.

**ITEM NO. 6:**

**Special Provisions, Section 2-03.3(7)A Disposal of Surplus Materials.**

Replace this Section with the following:

Clean soil, topsoil, and asphalt grindings removed from the project shall be delivered to the City of Sedro-Woolley Street Shop, 409 Alexander Street, Sedro-Woolley. The Contractor shall coordinate deliveries with Nathan Salseina, Public Works Operations Supervisor, (360) 661-6492. All other waste materials shall become the property of the contractor and shall be disposed of off-site at the contractor's expense. Materials hauled to the city site shall be removed and hauled at the contractor's expense.

**ITEM NO. 7:**

**Special Provisions, Section 2-09.3(1)E Backfilling.**

Replace this Section with the following:

(\*\*\*\*\*)

Backfill material (above the bedding zone) for pipe trench work (any type) and structures (any type) to the bottom of the road limits shall consist of gravel base conforming to Section 4-02 of these Specifications.

**ITEM NO. 8:**

**Special Provisions, Section 5-04.3(14) Planing Bituminous Pavement**

Replace this Section with the following:

In areas to be overlaid, planing depth shall match the compacted HMA overlay depth as shown on the Plans. Surplus planings shall be delivered to the city's public works yard.

**III. ADDITIONS, MODIFICATIONS, AND/OR DELETIONS TO THE CONTRACT PLANS**

**ITEM NO. 9.**

**EC1 through EC10 Site Preparation and Erosion Control Plans**

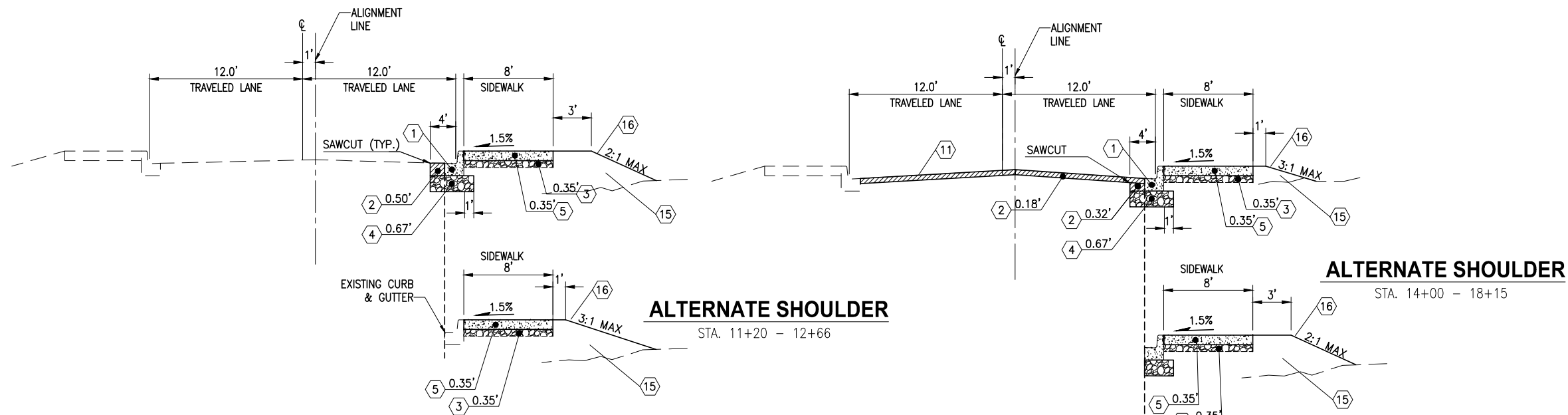
Replace General Notes No. 1 with the following:

Protect existing trees, landscaping, and utilities in place. Protect the overhead utilities near Station 45+50 when removing trees.

**ITEM NO. 10.**

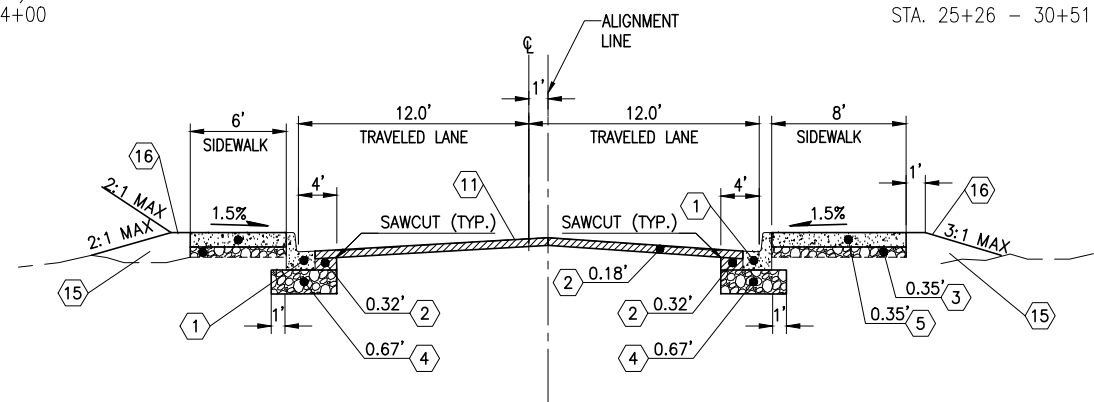
**RS1 Typical Roadway Sections**

Replace Sheet RS1 with the attached Plan Sheet.

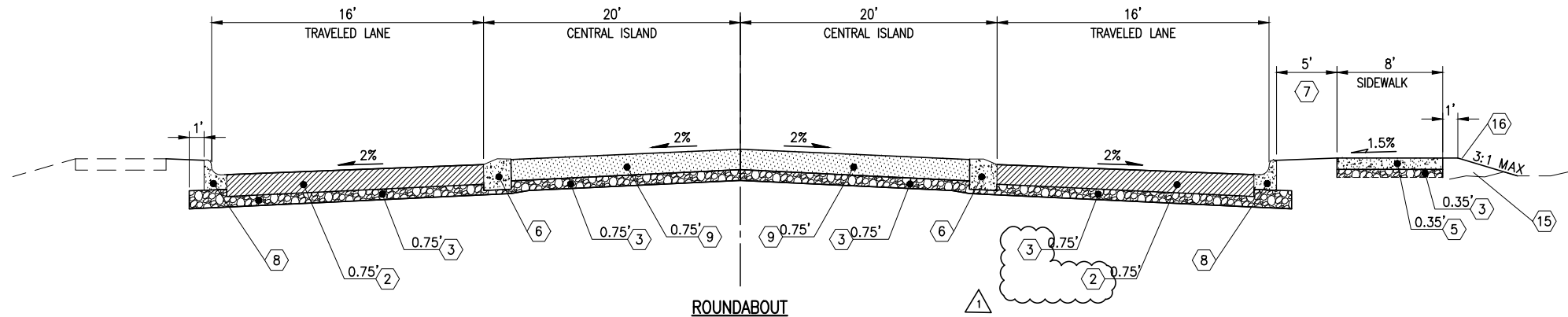


**ROADWAY SECTION "A"**  
(FRUITDALE ROAD)  
STA. 11+20 - 14+00

**ROADWAY SECTION "B"**  
(FRUITDALE ROAD)  
STA. 14+00 - 21+36  
STA. 25+26 - 30+51



**ROADWAY SECTION "C"**  
(FRUITDALE ROAD)  
STA. 21+36 - 25+26



**ROUNDABOUT**  
**ROADWAY SECTION "D"**  
(FRUITDALE ROAD)  
STA. 30+51 - 32+05

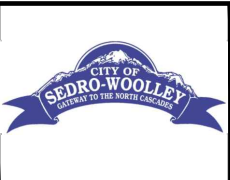
**SURFACING LEGEND**

- ① CEMENT CONCRETE TRAFFIC CURB AND GUTTER PER WSDOT STD. PLAN F-10.12-03
- ② HMA CL 1/2 IN PG. 64-22
- ③ CRUSHED SURFACING TOP COURSE
- ④ CRUSHED SURFACING BASE COURSE
- ⑤ CEMENT CONCRETE SIDEWALK PER WSDOT STD. PLAN F-30.10-01
- ⑥ ROUNDABOUT TRUCK APRON CEMENT CONCRETE CURB (SEE DETAIL, SHEET PVD1)
- ⑦ HARDSCAPE STRIP/LANDSCAPE (HARDSCAPE STRIP/LANDSCAPE (SEE SHEET PVD1 & LA01)
- ⑧ ROUNDABOUT CEMENT CONCRETE CURB AND GUTTER PER WSDOT STD. PLAN F-10.18-00 CURB 2.
- ⑨ TEXTURED RED PIGMENTED CEMENT CONCRETE PAVEMENT
- ⑩ GUARDRAIL TYPE 31 PER WSDOT STD PLAN C-20.10-03
- ⑪ EXISTING PAVEMENT GRIND, 0.18' EDGE TO EDGE.
- ⑫ EXTRUDED CURB PER WSDOT STD. PLAN F-10.42-00
- ⑬ NOT USED
- ⑭ EXISTING PAVEMENT GRIND, APPROXIMATE 0.30' IN DEPTH, EDGE TO EDGE. EXISTING GRAVEL BASE REMOVAL APPROXIMATE 0.20' IN DEPTH. INSTALL NEW HMA PAVEMENT TO MATCH EXISTING ELEVATIONS.
- ⑮ GRAVEL BASE
- ⑯ TOPSOIL TYPE A AND SEEDING

2/26/2018 4:16 PM I:\BLV\PRJ\000011723\7\_Engineering\CADD\11723-rsec.dwg

NO.	DATE	BY	APPR.	REVISIONS
1	02/26/18	YZ	REV-1	ROADWAY SECTION - ADDENDUM #2

APPROVED FOR CONSTRUCTION		Yong Zhu	AUG 2016
DESIGNED BY	DATE	Christopher Neal	AUG 2016
DRAWN BY	DATE	Miguel Sandoval	AUG 2016
CHECKED BY	DATE	Jorge Garcia	AUG 2016
APPROVED BY	DATE		
PROJECT ENGINEER	DATE		
FILENAME:		11723-rsec.dwg	



CITY OF SEDRO-WOLLEY  
FRUITDALE ROAD ARTERIAL IMPROVEMENTS  
CITY OF SEDRO WOOLLEY, SKAGIT COUNTY  
TYPICAL ROADWAY SECTIONS

DRAWING NUMBER  
**RS1**  
SHT 3 of 74